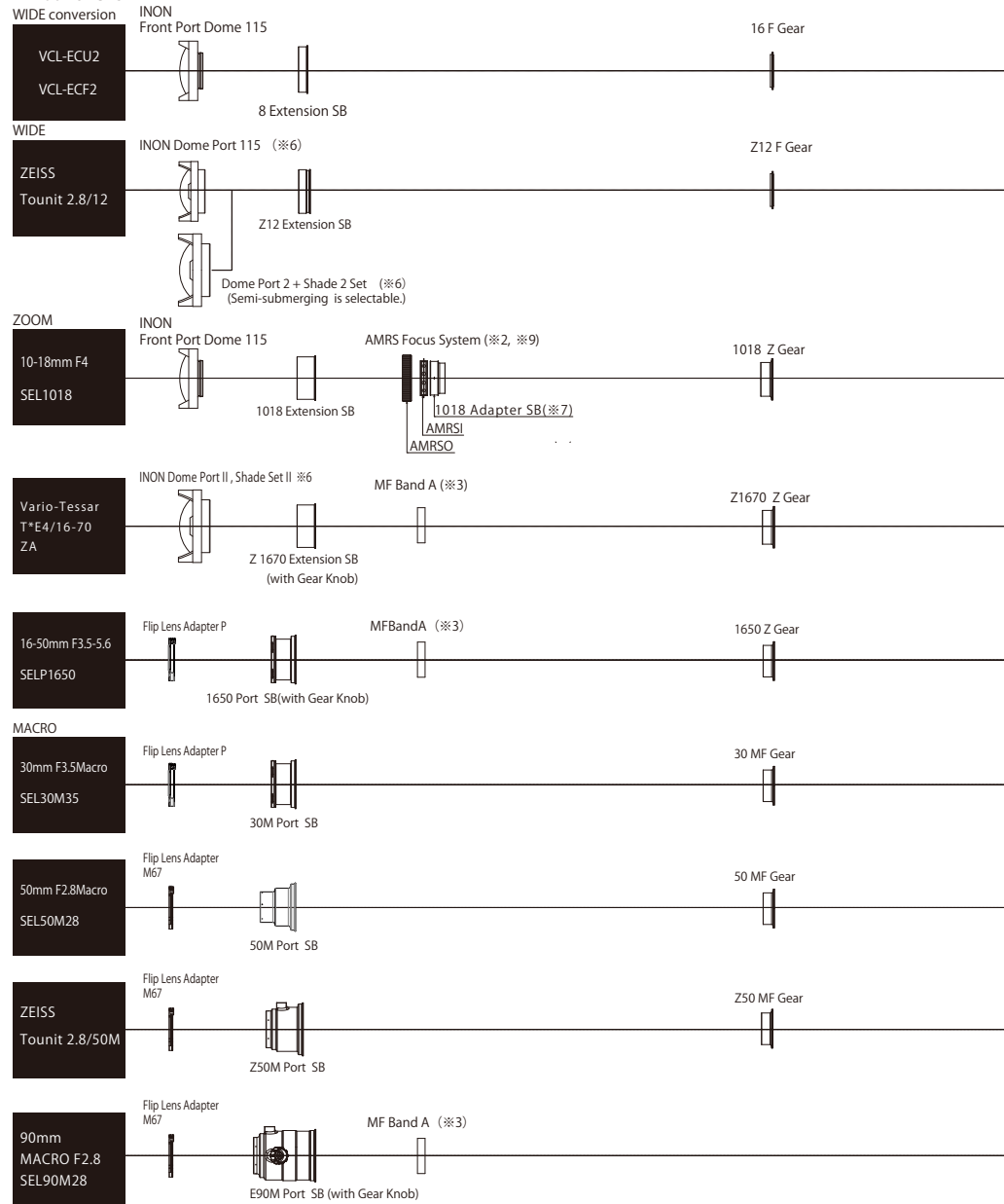


**E Mount Lens**



- SB is short for Small Bayonet.
- ※1 M67 Adapter is available.
- ※2 AMRS Focus System and AMRS Zoom System are all constructed alike.
  - AMRS and AMRSI are a common part. Only the special adapter is different.
- ※3 It is necessary in manual focusing.
- ※4 This (diffuser) prevents the internal strobe from being reflected in the dome port.
- ※5 As for 1855 adapters, SB and M86 are different things.
- ※6 It's not "Front Dome Port 115".
- ※7 1018 Adapter SB and 1855 Adapter SB are the same thing.
- ※8 A Mount Lens needs SONY Mount Adapter and LA-EA1. (Its production has already finished. Use second-hand one.)
- ※9 It is possible that 1018 Extension doesn't work because it is affected by the magnetic force of AMRS due to an individual difference of lens.

**[Standard equipment]**

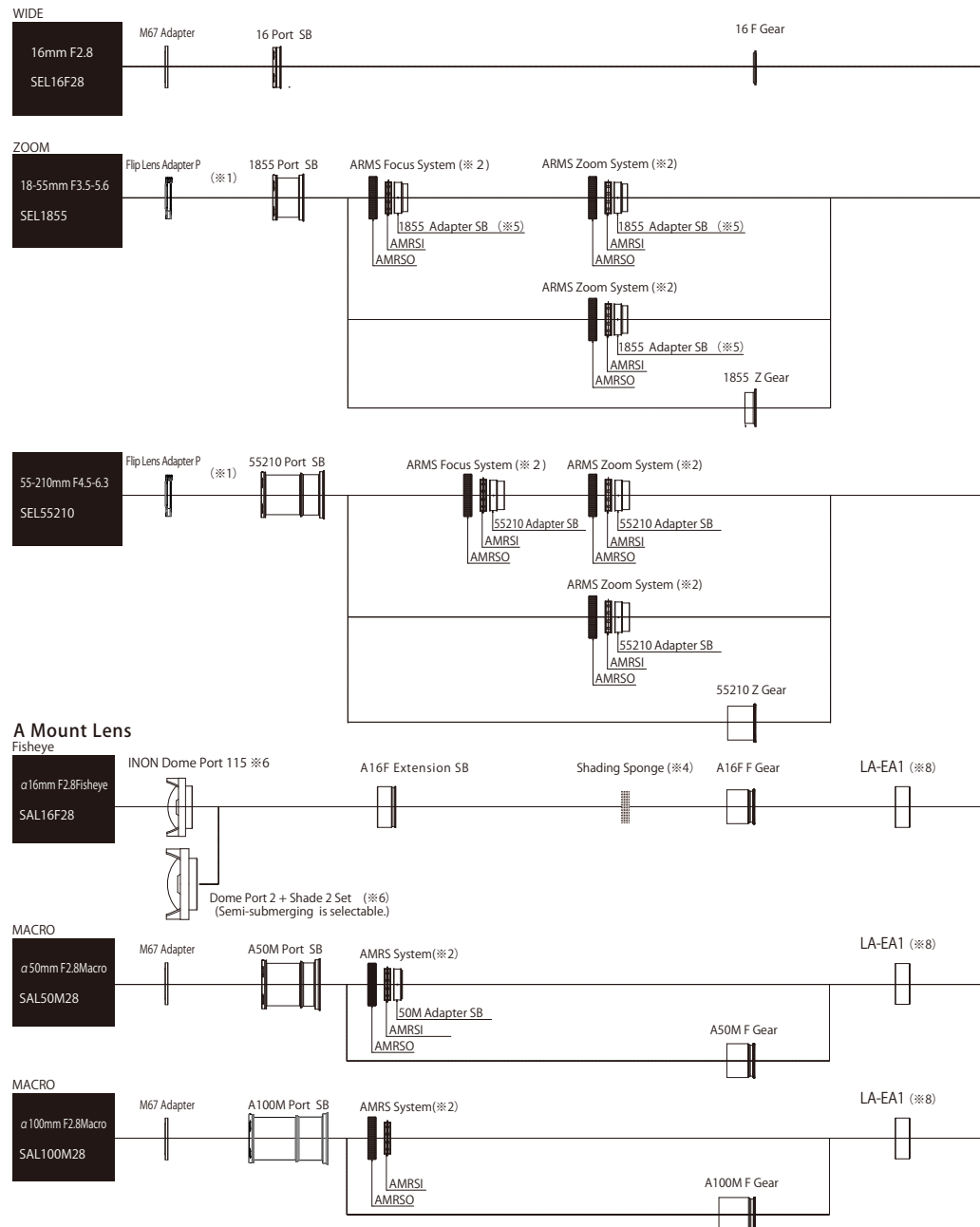
- ⊙The slant cover (to be attached to the tilt monitor and comes with a lever to adjust the angle.)
- ⊙Pressure tested to 100m / 328.08ft
- ⊙Control dial mechanism with original suspension
- ⊙A lineup of 14 body colors
- ⊙Monitor hood rail
- ⊙Mount Base (Can be attached to 6 types of adapters)
- ⊙Three tripod screws
- ⊙Trigger-style shutter lever
- ⊙Strobe Sync Cord adaptor

**[Optional]**

- ⊙Premium Color : Mat Black
- ⊙Flip Lens Adapter M67 (Can be attached to the close-up lens of standard M67 in a flash.)
- ⊙Flip Lens Adapter P (Exclusively for the port with the large objective glass of ACQUAPAZZA. )
- ⊙M10 Ball Joint L60
- ⊙M10 Ball Joint L80
- ⊙Projecting Shade Sponge (to lessen vignetting when using the internal strobe)

※The following systems, AMRS, AMRSI, AMRSO referred to in these documents, are produced by ACQUAPAZZA with permission from INON, Inc. For further information, please contact ACQUAPAZZA.

■ The following will be finished when current stock is empty.



**Caution**  
 Be sure to read the instruction manual before using for your safe and correct use.

