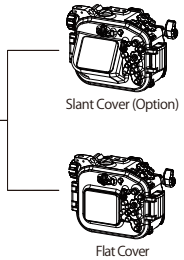
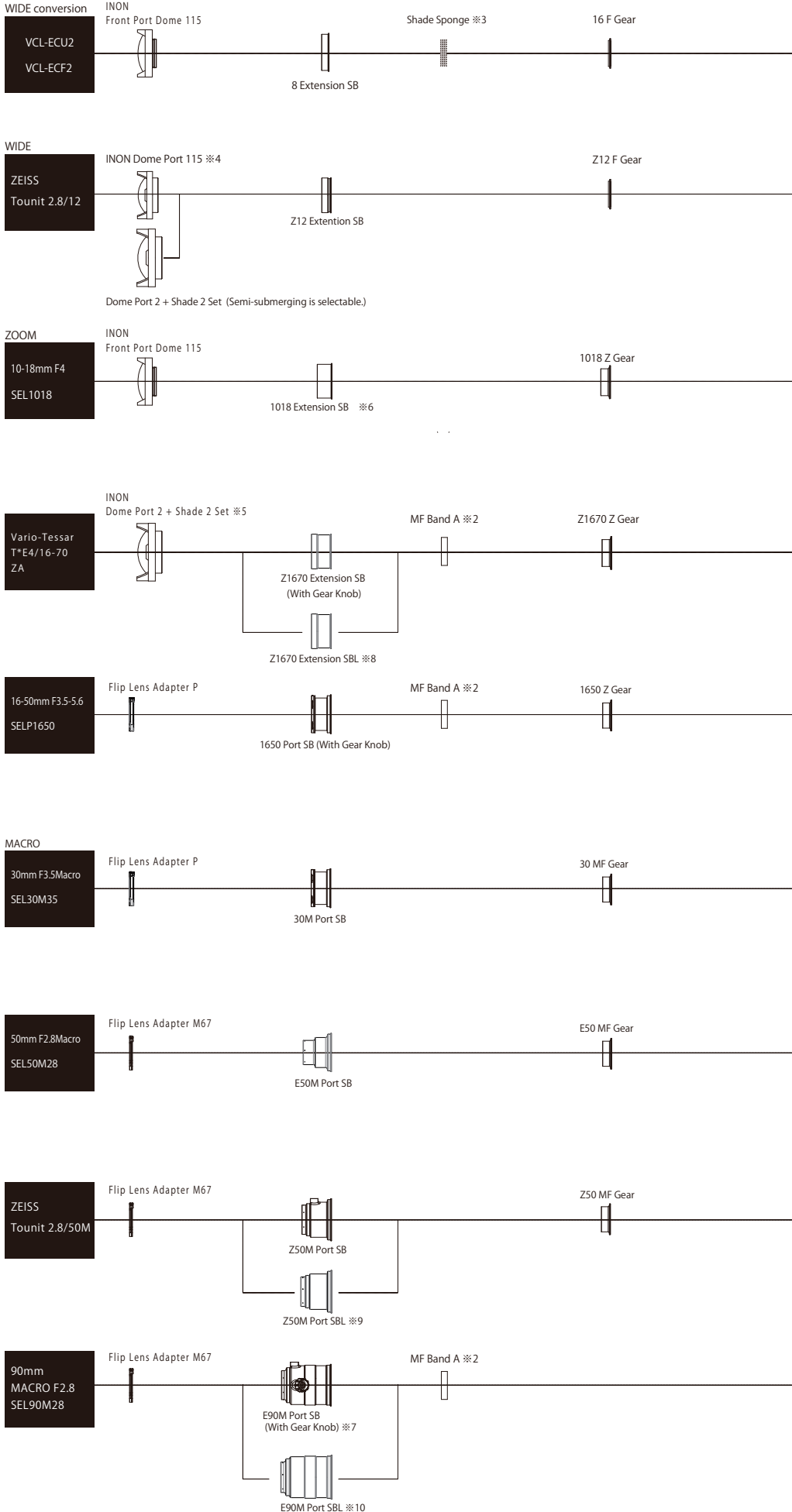


E Mount Lens



- SB is short for Small Bayonet.
- ※1 M67 Adapter is available.
- ※2 It is necessary in manual focusing.
- ※3 This (diffuser) prevents the internal strobe from being reflected in the dome port.
- ※4 It's not "Front Dome Port 115".
- ※5 When attaching a Z1670, the shortest photographic distance becomes about double and more distant.
- ※6 1018 cannot do MF.
- ※7 When you use it only for AF, you can attach and detach a camera from the housing with a single touch of a button but when attaching a MF Band, you have to detach a port.
- ※8 The less-expensive version without F Gear Knob (Used only for AF)
- ※9 The less-expensive version without Mount Base
- ※10 The less-expensive version without F Gear Knob and Mount Base (Used only for AF)

Please contact us about the port that is published on the system chart of APSO-A6300 and not here.

[Standard equipment]

- The flat cover
- Pressure tested to 100m / 328.08ft
- Control dial mechanism with original suspension
- A lineup of 15 body colors
- Monitor hood rail
- Mount Base (Can be attached to 6 types of adapters)
- Three tripod screws
- Trigger-style shutter lever
- Strobe Sync Cord adaptor

[Optional]

- The slant cover (to be attached to the tilt monitor and comes with a lever to adjust the angle.)
- Premium Color : Mat Black
- Flip Lens Adapter M67 (Can be attached to the close-up lens of standard M67 in a flash.)
- Flip Lens Adapter P (Exclusively for the port with the large objective glass of ACQUAPAZZA.)
- M67 Adapter (Can be used for 1650 Port and 30M Port)
- M10 Ball Joint L60
- M10 Ball Joint L80
- Projecting Shade Sponge (to lessen vignetting when using the internal strobe)

Caution Be sure to read the instruction manual before using for your safe and correct use.

